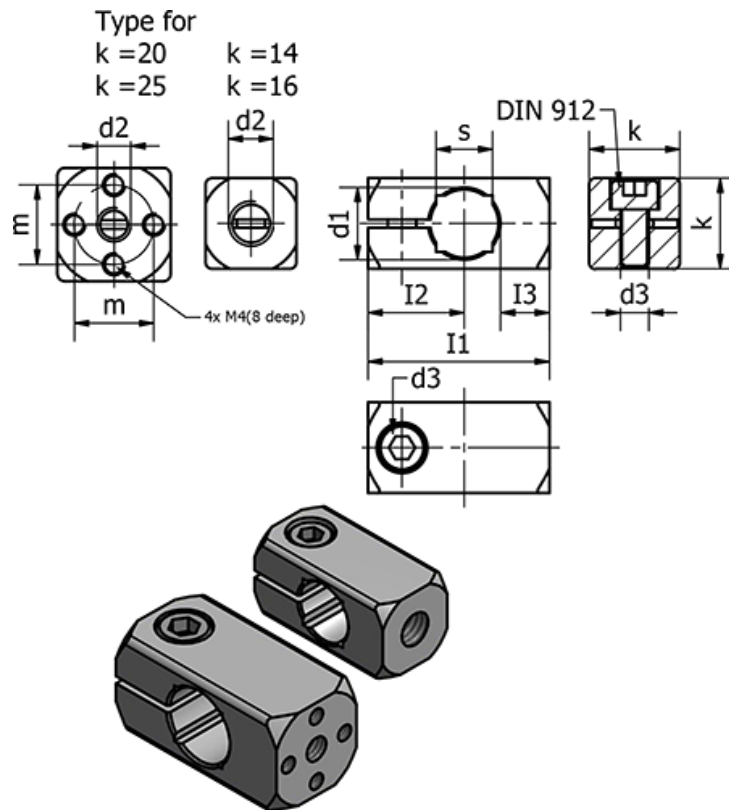


Article number: 20478B20M8MT

Description: E+G Clamp mounting - GN 478-B20-M8-MT

## Measures



Clamping kit for d2 = GN 511-M6-25	m	= 17	
d1 h11	= 20	s	= 16
d2	= M8	Weight (g)	= 51
d3	= M6		
I1	= 45		
I2	= 21.5		
I3	= 12		
k	= 25		